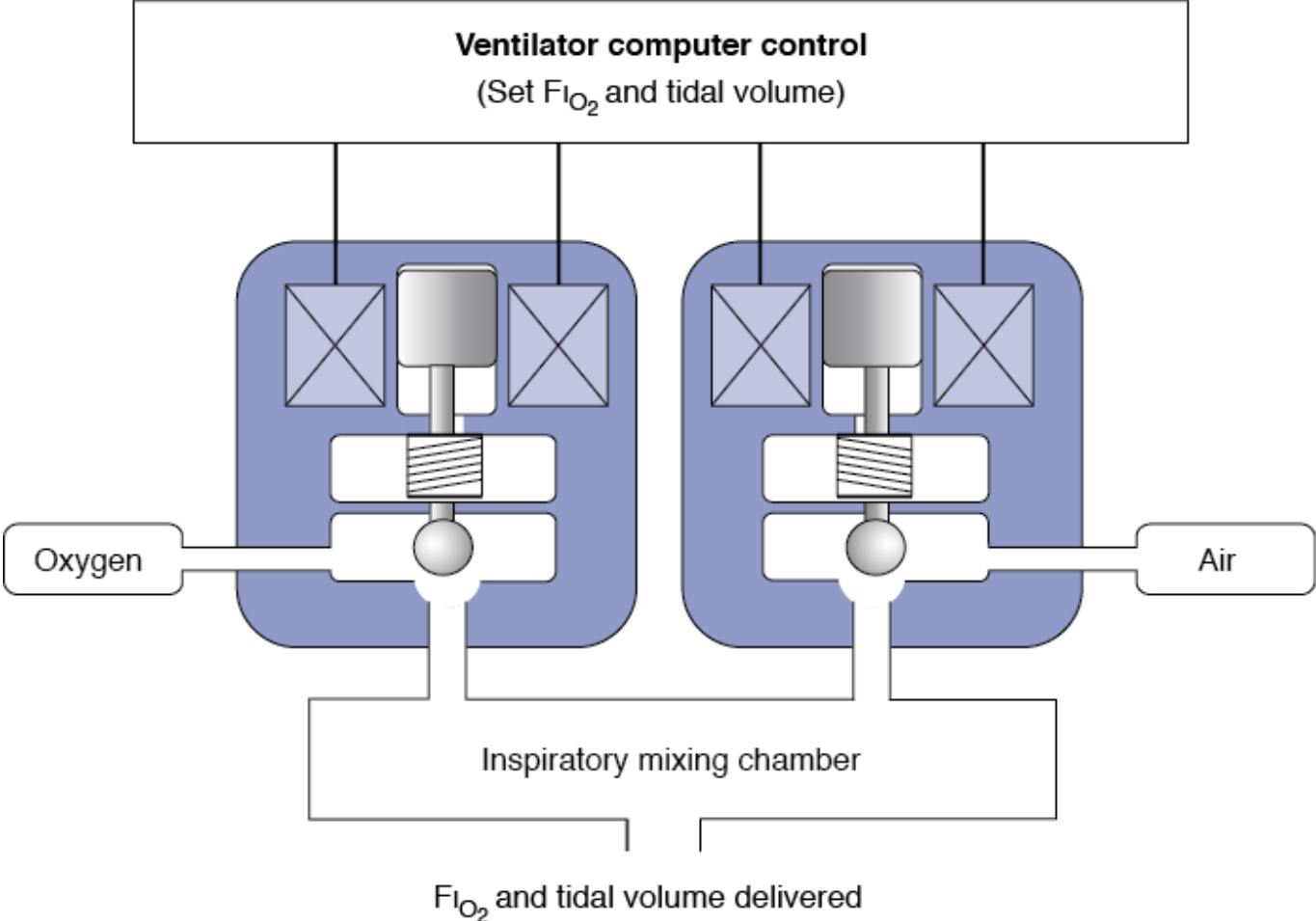




[The Ventilator Book Books Pdf File](#)



Source: Tobin MJ: *Principles and Practice of Mechanical Ventilation, 3rd Edition*: [www.accessanesthesiology.com](http://www.accessanesthesiology.com)  
Copyright © The McGraw-Hill Companies, Inc. All rights reserved.

[The Ventilator Book Books Pdf File](#)

---

DOWNLOAD



---

Documents about Hamilton Medical ventilators and solutions. Download for free. . EN. Volumetrische Kapnographie E-book. E-books. PDF 3.4 MB. 2017-02-10.. Editorial Reviews. About the Author. William Owens, MD, is the Director of the Medical Intensive . Additional gift options are available when buying one eBook at a time. Learn more . A lot of text books and material on mechanical ventilation are a waste of time and don't emphasize quick practical things needed in the ICU.. This book is an important new resource for clinicians caring for ventilator dependent children, . Despite the complicated health care needs of children who rely on.. 13 Oct 2017 . Books, All Databases, Assembly, Biocollections, BioProject, BioSample . Extrinsic PEEP also can be used to improve ventilation-perfusion (VQ) mismatches. The application of positive pressure inside the airways can open or splint . This book is distributed under the terms of the Creative Commons.. 5 Mar 2012 . If you need something that teaches you both the concepts of mechanical ventilation and how to manage patients with respiratory failure, this is.. The Ventilator Book has 103 ratings and 5 reviews. . Of course, you're going to have to go to your favorite critical care textbook (or Tobin's tome on all things.. I had a basic understanding of mechanical ventilation, but I wanted to learn more. Unfortunately, the books and articles that I found were not what I needed.. When one of the authors of this book began his ICU career, he sought a short 'primer' on mechanical ventilation. None existed. Worse, this remains true some 25.. Henry David Thoreau For writers of technical books, there can be no better piece . About this book . The Conventional Modes of Mechanical Ventilation . Download Sample pages 1 PDF (541 KB); Download Table of contents PDF (81.1 KB).. of mechanical ventilators. Robert L. Chatburn, BS, . ISBN, PDF edition: 0-9729438-3-8 . Care has been taken to confirm the accuracy of the information presented . on ventilator design in every major respiratory care textbook: Tobin MJ.. This textbook represents a collection of . 70 state-of-the-art reviews of topics related to mechanical ventilation. The quality of the reviews is at a very high level.. 5 Mar 2012 . The Ventilator Book is written to be read in the ICU or Emergency Department. It is a clearly written guide to the basics of mechanical ventilation.. 12 Mar 2016 . Find the best selection of books for ebook free download here at Dhgate.com. . The Ventilator Book Kindle Edition Epub Download . The "Ventilator Book" arms you with the essentials of mechanical ventilation, explaining.. The Ventilator Book Books Pdf File. October 7, 2017 2:32 AM. The Ventilator Book by William Owens rating: 4.6 (128 reviews) ->>>DOWNLOAD BOOK.. Essentials of Mechanical Ventilation is a textbook written by 2 experts on mechanical ventilation, and it covers all aspects of mechanical ventilation for adult.. Why write a book on the management of critically ill patients? . Complex mechanical ventilation devices need appropriate monitoring and adjust- ment.. 31 Jul 2018 . PDF Ventilator manufacturers and the respiratory care academic . Download full-text PDF . Core textbook of respiratory care practice.. The Ventilation Hand Book The Principles and Practice of Ventilation as Applied to . Corresponding to the chapters in J.M. Cairo's textbook, this. . Editorial Reviews. About the Author. William Owens, MD, is the Director of the Medical Intensive . Don't get me wrong--there are a lot of excellent books on Critical Care Medicine out there. The ones that I read had long chapters on the.. 31 Mar 2011 . About this book. A new, case-oriented and practical guide to one of the core techniques in respiratory medicine and critical care. Concise. [olisyre](#) c861546359